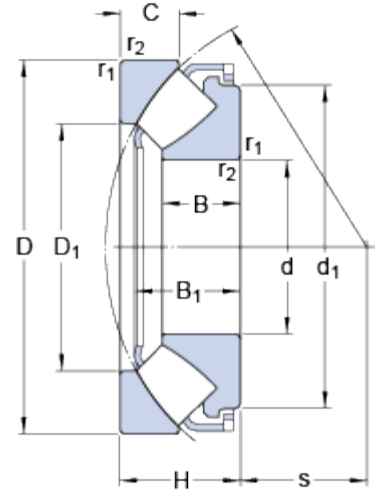


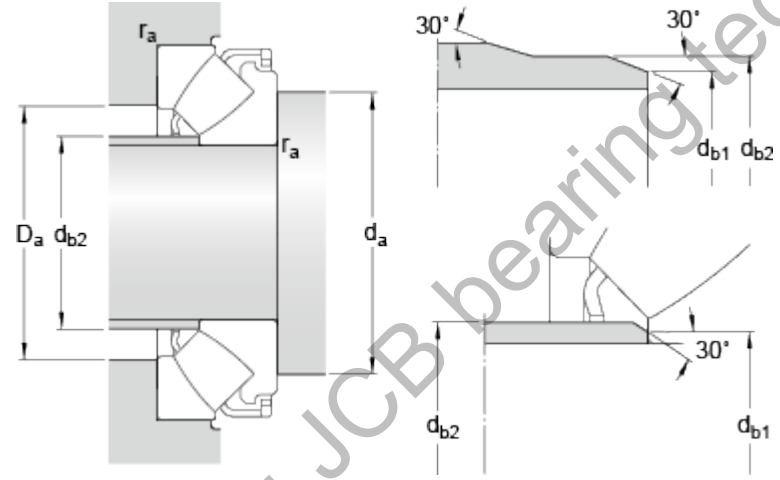
29436 E

Dimensions



d	180	mm
D	360	mm
H	109	mm
d ₁	≈ 315	mm
D ₁	≈ 250	mm
B	69.5	mm
B ₁	96.4	mm
C	53	mm
s	110	mm
r _{1,2}	min. 5	mm

Abutment dimensions



d _a	min. 265	mm
d _{b1}	max. 196	mm
d _{b2}	max. 210	mm
D _a	max. 304	mm
r _a	max. 4	mm

Calculation data

Basic dynamic load rating	C	2600	kN
Basic static load rating	C ₀	7350	kN
Fatigue load limit	P _u	710	kN
Reference speed		1000	r/min
Limiting speed		1800	r/min
Minimum axial load factor	A	5.1	

Mass

Mass bearing	52.5	kg
--------------	------	----